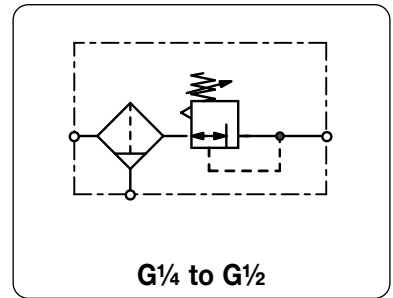


# STANDARD FILTER PRESSURE REGULATOR

## B510/B511/B512

<b>Description</b>	Filter pressure regulator in small design with large volume flow. Can be blocked with an oiler without use of a double nipple.		
<b>Media</b>	Compressed air or neutral gases		
<b>Supply pressure</b>	max. 17 bar		
<b>Adjustment</b>	with lockable adjustment knob for B510, with T-handle for B511, with adjustment screw for B512		
<b>Relieving function</b>	relieving, optionally non relieving		
<b>Gauge port</b>	G $\frac{1}{8}$ on both sides, screw plugs are supplied		
<b>Filter element</b>	40 $\mu$ m, optionally 5 $\mu$ m, sintered bronze		
<b>Bowl</b>	metal version with sight glass		
<b>Drainage</b>	manual drain as standard, optionally automatic drain max. 10 bar		
<b>Temperature range</b>	0 °C to 80 °C		
<b>Material</b>	Body: Alu die-cast	Bowl: Alu die-cast	Elastomer: NBR
	Spring cage: glass fibre-reinforced plastic		Inner valve: brass and plastic



Dimensions			Bowl		Flow rate		P <sub>1</sub>	Connection	Pressure range	Order number
A	B	C	Design	Capacity	rate	rate	max.	thread	bar	[A]*
mm	mm	mm	made of/with	l	m <sup>3</sup> /h*1	l/min*1	bar	G	bar	

Standard filter pressure regulator with manual drain, relieving, max. 17 bar without gauge, 40 $\mu$ m filter element										B510
73	244	149	metal/ sight glass	0.2	126	2100	17	G $\frac{1}{4}$	0.2 ... 2 0.4 ... 4 1.0 ... 10 1.7 ... 17	B510-02WJA B510-02WJB B510-02WJC B512-02WJD
73	244	149	metal/ sight glass	0.2	132	2200	17	G $\frac{3}{8}$	0.2 ... 2 0.4 ... 4 1.0 ... 10 1.7 ... 17	B510-03WJA B510-03WJB B510-03WJC B512-03WJD
73	244	149	metal/ sight glass	0.2	138	2300	17	G $\frac{1}{2}$	0.2 ... 2 0.4 ... 4 1.0 ... 10 1.7 ... 17	B510-04WJA B510-04WJB B510-04WJC B512-04WJD

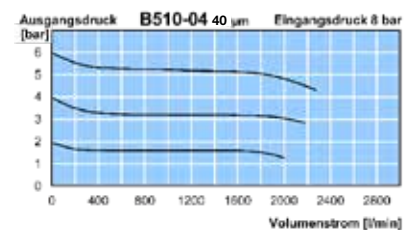
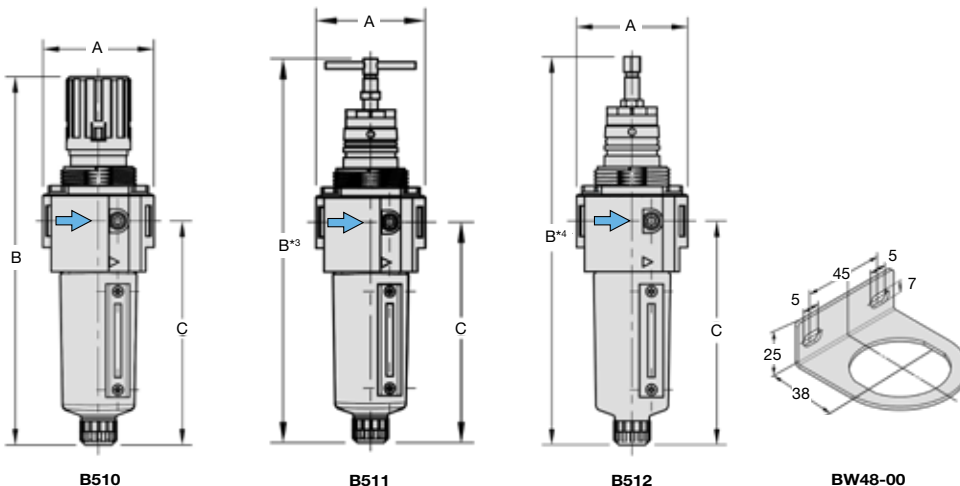


### Special options, add the appropriate letter

<b>T-handle</b>	with locknut	up to 10 bar	B + 20 mm *3	B511-0.W . .
<b>adjustment screw</b>	with locknut	up to 10 bar	B + 20 mm *4	B512-0.W . .
<b>5 <math>\mu</math>m filter element</b>				B51.- 0.WG.
<b>non relieving</b>	without relieving function			B51.- 0.W . . K
<b>automatic drain</b>	SA-500, max. 10 bar			B51.- 0.W . . R
<b>flange connection</b>	according to EN-1092-1 or ASME B16.5	on request		B51.- 0.W . . F.

### Accessories, enclosed

<b>pressure gauge</b>	Ø 50 mm, 0...*2 bar, G $\frac{1}{8}$	MA5001- . . *2
<b>mounting bracket</b>	made of stainless steel	BW48-00
<b>mounting nut</b>	made of plastic	M48x1,5K



\*1 at 8 bar supply pressure, 6 bar outlet pressure and 1 bar pressure drop  
\*2 02 = 0...2.5 bar, 04 = 0...4 bar, 06 = 0...6 bar, 10 = 0...10 bar, 16 = 0...16 bar, 25 = 0...25 bar

Extensions: see chapter for FRL service units  
Gauges: see chapter for measuring devices

PDF CAD  
www.aircom.net

\* Product group



Order example:  
B510-02WJA